



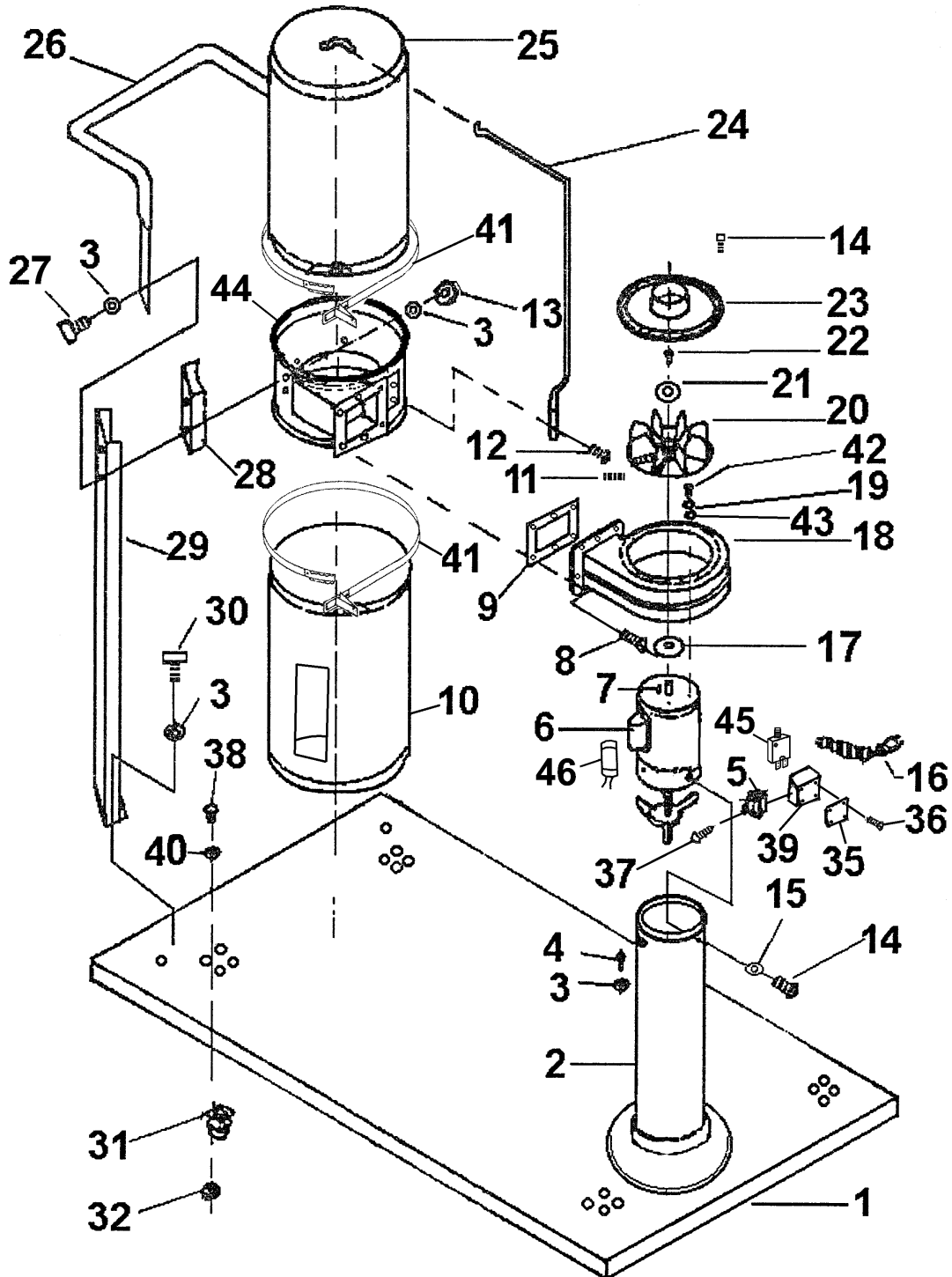
Service Manual / Manuel de Service

# 1 HP Dust Collector Collecteur de Poussière 1 CV



Revised/Revisé 08/2008

**KC-2105C**





## Parts Pricing List / Liste de Prix des Pièces

# KC-2105C

| Diag. | Order # Com.    | English Description          | Description Française            | Qty./Qté. | Price/Prix |
|-------|-----------------|------------------------------|----------------------------------|-----------|------------|
| 1     | 6821050010      | BASE                         | SOCLE                            | 1         | \$44.45    |
| 2     | 6821050020      | COLUMN                       | COLONNE                          | 1         | \$43.18    |
| 3     | 6821050030      | WASHER                       | RONDELLE                         | 14        | \$1.55     |
| 4     | 6821050040      | HEX. BOLT                    | BOULON HEXAGONAL                 | 4         | \$1.67     |
| 5     | 6821050050      | SWITCH (4 PRONG)             | INTERRUPTEUR (4 PATTES)          | 1         | \$11.49    |
| 6     | 6821050060      | MOTOR ASS'Y                  | MOTEUR ASSEMBLE                  | 1         | \$142.60   |
| 7     | 6821050070      | KEY                          | CLE DE RETENUE                   | 1         | \$2.13     |
| 8     | 6821050080      | HEX. BOLT                    | BOULON HEXAGONAL                 | 6         | \$1.67     |
| 9     | 6821050090      | GASKET                       | JOINT D'ETANCHEITE               | 1         | \$5.00     |
| 10    | KDCB-2105B      | BOTTOM DUST COLLECTOR BAG    | SAC DE COLLECTION DU BAS         | 1         | -          |
| 11    | 6821050110      | SET SCREW                    | VIS SANS TETE                    | 1         | \$2.01     |
| 12    | 6821050120      | PAN HD. SCREW                | VIS A TETE BOMBEE                | 2         | \$1.55     |
| 13    | 6821050130      | HEX. NUT                     | ECROU HEXAGONAL                  | 4         | \$1.61     |
| 14    | 6821050140      | PAN HD. SCREW                | VIS A TETE BOMBEE                | 3         | \$1.55     |
| 15    | 6821050150      | WASHER                       | RONDELLE                         | 3         | \$1.50     |
| 16    | 6821050160      | POWER CORD                   | CORDON D'ALIMENTATION            | 1         | \$17.19    |
| 17    | 6821050170      | GASKET                       | JOINT D'ETANCHEITE               | 1         | \$4.20     |
| 18    | 6821050180      | IMPELLER HOUSING             | BIOTIER DU VENTILATEUR           | 1         | \$90.68    |
| 19    | 6821050190      | SPRING WASHER                | RONDELLE A RESSORT               | 4         | \$1.67     |
| 20    | 6821050200      | IMPELLER                     | VENTILATEUR                      | 1         | \$45.94    |
| 21    | 6821050210      | IMPELLER WASHER              | RONDELLE DU VENTILATEUR          | 1         | \$4.08     |
| 22    | 6821050220      | CAP SCREW (LEFT HAND)        | BOULON A TETE CYLIND. (GAUCHE)   | 1         | \$3.05     |
| 23    | 6821050230      | INLET COVER                  | COUVERCLE D'ENTREE               | 1         | \$34.44    |
| 24    | 6821050240      | DUST BAG HANGER              | CROCHET DU SAC A POUSSIERE       | 1         | \$19.49    |
| 25    | KDCB-2105T-1MIC | .1 MICRON TOP DUST COLL. BAG | SAC DE COLL. DU HAUT - .1 MICRON | 1         | -          |
| 26    | 6821050260      | TRANSPORT HANDLE             | POIGNEE DE TRANSPORT             | 1         | \$14.78    |
| 27    | 6821050270      | HEX. BOLT                    | BOULON HEXAGONAL                 | 4         | \$2.07     |
| 28    | 6821050280      | BLOCK                        | BLOC                             | 2         | \$3.97     |
| 29    | 6821050290      | SUPPORT LEG                  | JAMBAGE DE L'ECHANGEUR           | 2         | \$10.75    |
| 30    | 6821050300      | HEX. BOLT                    | BOULON HEXAGONAL                 | 2         | \$1.67     |
| 31    | 6821050310      | CASTER WHEEL                 | ROUE PIVOTANTE                   | 4         | \$7.99     |
| 32    | 6821050320      | HEX. NUT                     | ECROU HEXAGONAL                  | 16        | \$1.55     |
| 35    | 6821050350      | SWITCH COVER                 | COUVERCLE DE L'INTERRUPTEUR      | 1         | \$3.39     |
| 36    | 6821050360      | TAPPING SCREW                | VIS AUTOTARAUDEUSE               | 4         | \$1.67     |
| 37    | 6821050370      | PAN HD. SCREW                | VIS A TETE BOMBEE                | 2         | \$1.55     |
| 38    | 6821050380      | PAN HD. SCREW                | VIS A TETE BOMBEE                | 28        | \$1.55     |
| 39    | 6821050390      | SWITCH BOX                   | BOITIER DE L'INTERRUPTEUR        | 1         | \$3.85     |
| 40    | 6821050400      | WASHER                       | RONDELLE                         | 16        | \$1.67     |
| 41    | 6821050410      | RETAINING STRAP              | LANIERE DE SERRAGE               | 2         | \$19.38    |
| 42    | 6821050420      | HEX. BOLT                    | BOULON HEXAGONAL                 | 4         | \$1.67     |
| 43    | 6821050430      | WASHER                       | RONDELLE                         | 4         | \$1.61     |
| 44    | 6821050440      | COLLECTOR                    | ECHANGEUR                        | 1         | \$108.85   |
| 45    | 6821050450      | SAFETY RESET                 | RELAJ DE SECURITE                | 1         | \$17.19    |
| 46    | 6821050460      | STARTING CAPACITOR           | CONDENSATEUR DE DEMARRAGE        | 1         | \$25.24    |
|       | 682105MBIL      | BILINGUAL MANUAL KC-2105C    | MANUEL BILINGUE KC-2105C         | 1         | \$15.00    |